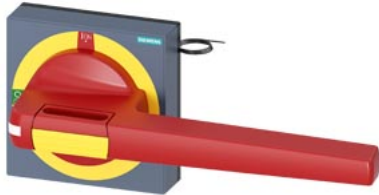


handle with masking plate EMERGENCY-STOP illuminated size 100x 100, for shaft 12x 12, 0-I, handle size 200mm accessory for 3KD size 5 3KF size 5



Model	
product brand name	SENTRON
product designation	handle with masking plate
design of the product	EMERGENCY OFF
design of handle	Red-yellow
design of the door lock system	Door interlocking
size of cross-section of the shaft of door-coupling rotary operating mechanism	12x12 mm
size format of the masking frame of door-coupling rotary operating mechanism	100x 100 mm
length of handle	200 mm
protection class IP	IP65
suitability for use	for 3KD size 5, 3KF size 5

Product details	
product description	with illumination
product component	
<ul style="list-style-type: none"> extension shaft handle for emergency-OFF function 	<p>No</p> <p>Yes</p>
product feature lockable	Yes
display version for switch position indicator	0-I

Mechanical Design	
height	144 mm
width	98 mm
depth	450 mm
net weight	353 g

Approvals Certificates		
General Product Approval	Declaration of Conformity	Marine / Shipping



other	Environment
-------	-------------

[Miscellaneous](#)

[Confirmation](#)

[Environmental Con-
firmations](#)

Further information

Siemens has decided to exit the Russian market (see here).

<https://press.siemens.com/global/en/pressrelease/siemens-wind-down-russian-business>

Siemens is working on the renewal of the current EAC certificates.

Please contact your local Siemens office on the status of validity of the EAC certification if you intend to import or offer to supply these products to an EAC relevant market (other than the sanctioned EAEU member states Russia or Belarus).

Information on the packaging

<https://support.industry.siemens.com/cs/ww/en/view/109813875>

Information- and Downloadcenter (Catalogs, Brochures,...)

<http://www.siemens.com/lowvoltage/catalogs>

Industry Mall (Online ordering system)

<https://mall.industry.siemens.com/mall/en/en/Catalog/product?mlfb=8UD1861-4CD05>

Service&Support (Manuals, Certificates, Characteristics, FAQs,...)

<https://support.industry.siemens.com/cs/ww/en/ps/8UD1861-4CD05>

Image database (product images, 2D dimension drawings, 3D models, device circuit diagrams, ...)

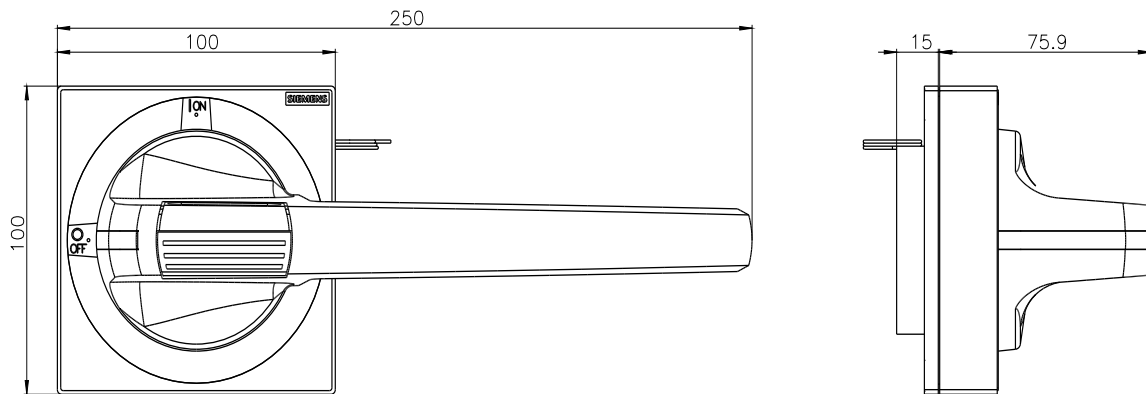
http://www.automation.siemens.com/bilddb/cax_en.aspx?mlfb=8UD1861-4CD05

CAX-Online-Generator

<http://www.siemens.com/cax>

Tender specifications

<http://www.siemens.com/specifications>



last modified:

7/29/2022 

